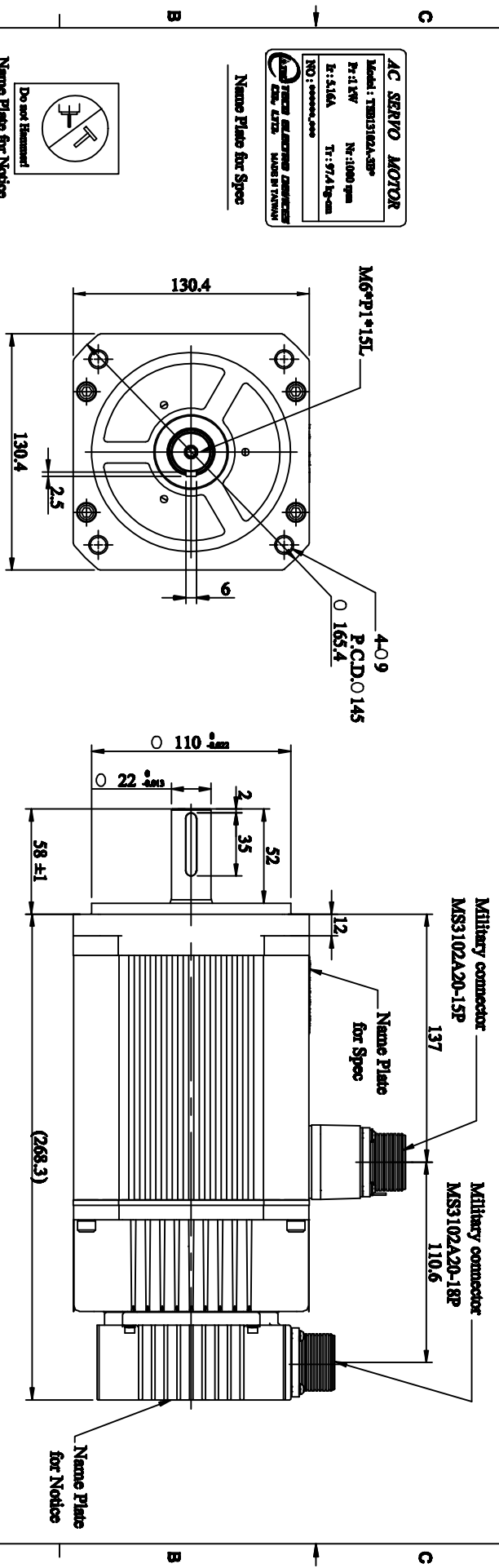


Model: TSB13102A-3B*

| No. | Term | Symbol | Unit | Specification | No. | Term | Symbol | Unit | Specification |
|-----|----------------------|--------|-------|-------------------|-----|----------------------|--------|--------------------|---------------|
| 1 | Drive | - | - | Rectangular Wave | 13 | Rotor Inertia | J-M | kg-cm ² | 12.84 ±10% |
| 2 | Cooling Method | - | - | Totally Enclosed | 14 | Rated Power Rate | Q-R | Kw/s | 70.96 |
| 3 | Exciting Method | - | - | Perrmanent Magnet | 15 | Resistance | Ra | Ω | 1.86±10%/2 φ |
| 4 | Resolution | - | - | NOTE2 | 16 | Inductance | L | mH | 18.32±10%/2 φ |
| 5 | Rated Output | P-R | W | 16W | 17 | Mech. Time Constant | Tm | ms | 0.80±10% |
| 6 | Rated Torque | T-R | N-m | 9.545 | 18 | Elect. Time Constant | Te | ms | 6.59±10% |
| 7 | Max. Torque | T-max | N-m | 28.645 | 19 | Insulation Class | - | - | Class B |
| 8 | Rated Speed | N-R | rpm | 1000 | 20 | Operation Temp. | T | °C | 0-40 |
| 9 | Rated Current | I-R | A | 5.16 | 21 | Operation Humid. | RH | % | <90 |
| 10 | Max. Current | I-max | A | 15.5 | 22 | Storage Temp. | T | °C | -20~-60° |
| 11 | Torque Constant | Kt | N-m/A | 2.039±10% | 23 | Storage Humid. | RH | % | <90 |
| 12 | Back emf(at 1800rpm) | Vemf | Volts | 222±10%/2 φ | 24 | Weight | W | kgw | 13.04 |

Notes:
1. Motor to be IP67
(excluding the shaft opening & connectors)
2. Encoder TYPE:2500ppr,8192ppr
17bit ,15bit



| STANDARD TOLERANCE | | APVD | CHKD | CHKD | CHKD | 3RD. A.P | UNIT | m | m | NAME | Servo Motor Outline Drawing | |
|--------------------|-------|------|------|------|------|----------|------|---|---|------|-----------------------------|--|
| X | ±0.5 | | | | | | mm | | | | | |
| XX | ±0.2 | | | | | | mm | | | | | |
| XXX | ±0.06 | | | | | | mm | | | | | |
| ANGLE | ±30° | | | | | | | | | | | |
| MATERIAL | | | | | | | | | | | | |

| REV. | DESCRIPTION | SIGNATURE | DATE | SCALE | 1/3 | UNIT | m | m | NAME | Servo Motor Outline Drawing | |
|------|-------------|-----------|------|----------|-----|------|---|---|------|-----------------------------|--|
| 1 | | | | 3RD. A.P | | mm | | | | | |
| 2 | | | | | | | | | | | |
| 3 | | | | | | | | | | | |
| 4 | | | | | | | | | | | |
| 5 | | | | | | | | | | | |
| 6 | | | | | | | | | | | |

TSB13102A-3B*

DWG. NO. DTSB13102A3B*